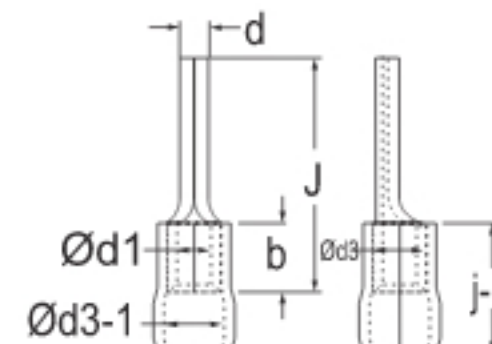
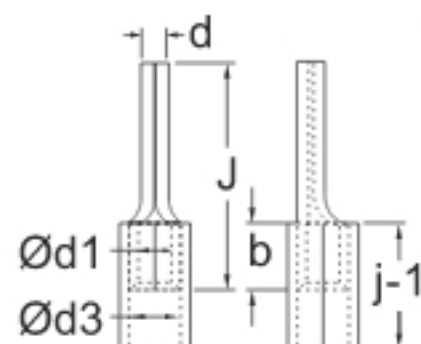
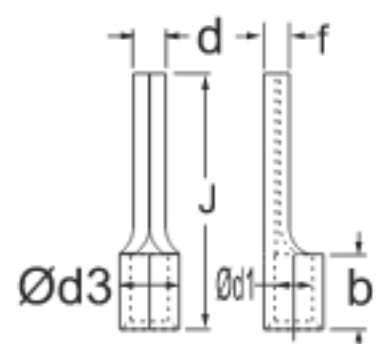


# COMET PIN TERMINALS (NON-INSULATED, INSULATED & PRE-INSULATED)



## NON-INSULATED

## INSULATED

## PRE - INSULATED

Size mm <sup>2</sup>	Ød1	Ød3	d	b	j	f	TYPE	COMET CAT NO	j-1	COMET CAT NO	Ød3-1	COMET CAT NO.
0.75	1.4	2.7	1.5	5	17	0.8	I	CCP-59	9.5	CCPI-60		
1.0	1.5	2.7	1.5	5	17	0.8	I	CCP-44	9.5	CCPI-45		
1.5	1.6	3.2	1.9	5	17	0.8	I	CCP-9	10	CCPI-17	3.6	CCPD-26
1.5	1.6	3.2	3.1	5	17	0.8	II	CCP-35	10	CCPI-40	3.6	CCPD-40
2.5	2.3	3.9	1.9	5	17	0.8	I	CCP-1	10	CCPI-18	4.4	CCPD-27
2.5	2.3	3.9	3.1	5	17	0.8	II	CCP-2	10	CCPI-19	4.4	CCPD-28
4.0	2.9	4.9	2.7	6	20	1.0	I	CCP-3	14	CCPI-20	6.4	CCPD-29
6.0	3.6	5.6	2.7	6	20	1.0	I	CCP-5	14	CCPI-22	6.4	CCPD-31
10	4.5	6.7	4.3	8	22	1.1	III	CCP-7	16	CCPI-24		
16	5.8	8.2	5.5	10	26	1.2	III	CCP-8	16	CCPI-25		
25	7.5	11.0	7.0	11	33	1.6	III	CCP-86				
35	9.0	12.5	7.5	12	37	1.6	III	CCP-87				
50	10.5	14.0	7.5	16	41	1.6	III	CCP-88				
70	12.0	16.0	9.3	18	46	2.0	III	CCP-89				

MATERIAL : COPPER IS - 1897

FINISH : ELECTRO TINNED